



TROOPER

WHEN ONLY THE
BEST WILL DO



Prinoth

Other sales and service sites in your area can be found at www.prinoth.com

PRINOTH Ltd. - North America
1001, J.-A.-Bombardier Street
Granby (Québec) J2J 1E9 Canada
Tel. +1.450.776.3600
Fax +1.450.776.3685
utilityvehicles@prinoth.com

PRINOTH GmbH - Europe
Michael-Seeber-Straße 1
6410 Telfs, Austria
Tel. +43 5262 6 21 21
Fax +43 5262 6 21 21 - 3160
tracked.vehicles@prinoth.com

Prinoth



YOUR GO-TO OPTION FOR PERFORMANCE

PRINOTH knows what it means to depend on something – and the Trooper comes from a long line of vehicles trusted by industry leaders all over the world. Whether you need to cover distance quickly or cut your own trail into uncharted territory, the Trooper gets crews, tools, supplies and crucial equipment into the most remote corners of your world. When you cannot settle for second best, look to the industry-leading Trooper to get your people and materials into the field and back – quickly, reliably, and safely.

The PRINOTH Trooper gets you there. You can depend on it.

Prinoth

VERSATILITY – ANYWHERE, ANYTIME. 1

The Trooper's tough construction, and industry-leading off-road capability means you and your crews enjoy a multi-functional, four-season vehicle that performs in a variety of fields. The Trooper is up for fighting fires in the south to transporting your personnel on electrical pole construction sites in the north. The Trooper goes where you work and works where you go.

SAFETY – NO MATTER THE JOB 2

Running the longest, wildest and most extreme routes takes guts. It also takes confidence in your machinery. PRINOTH's outstanding safety record allows you to operate safely. You can count on the Trooper!

PERFORMANCE – THE ULTIMATE UTILITY 3

Top performance is not an option, it is a requirement. PRINOTH engineers all of its vehicles to this standard and raises the bar by delivering a unique blend of strength and agility, unmatched in the market. Speed, strength, and intelligent design means your people never compromise.

UNBEATABLE COMFORT 4

Even the toughest operators appreciate PRINOTH's commitment to cab comfort. Ergonomic, intuitive and intelligent, ROPS-certified PRINOTH cabs allow you to get you where you need to go, comfortably and safely.



**FLEXIBLE SO YOUR
PROJECT PLAN
DOES NOT HAVE TO BE**

Prinoth

THE PRINOTH SOLUTION »

PRINOTH has over 76 years of wide-ranging industry experience, and we have put a lot of tough roads behind us. Our unmatched commitment to quality and versatility uniquely assists you to get the job done. Whatever field you work in – wind energy, electric utilities, oil and gas, fire fighting, telecommunications or border patrol – the Trooper will take you swiftly and safely over difficult stretches of terrain. Furthermore, the Trooper can carry with him a large

range of implements. From cranes to drills, even a whole crew can be transported with it. Its powerful turbo diesel engine and unparalleled weight distribution make the Trooper an all-season vehicle that delivers uncompromised performance on everything from snow and mud to sand and rocks. Equipped with superior safety systems, the roomiest, most well-designed cab on the market and a host of other innovative features, the Trooper is engineered to handle

both routine work and unexpected missions. Transport tools and crew, conduct maintenance and inspections, respond to emergencies – all with the comfort, confidence and efficiency you can expect from PRINOTH. The Trooper is the result of our consistent drive to build innovative tracked machines that exceed your demands for performance, reliability and safety.





VISUALIZING SAFETY »

PRINOTH builds safety into its products from the inside out, surrounding your crew with features that anticipate the most demanding situations. An industry-leading, ISO-certified roll-over protective structure (ROPS ISO 3471) and strong exoskeleton keep operators safe and protected from the elements. The market's largest removable sunroof adds both comfort and peace of mind to a chassis that is manufactured to exacting specifications and rigorously tested.



INNOVATIVE TECHNOLOGY FOR OUTSTANDING PERFORMANCE »

PRINOTH understands where you are going. Our automatic braking system immobilizes the Trooper when stopped on a hill or the instant a cab door opens. Seeing well means both safety and confidence, and the Trooper's superior visibility combined with powerful xenon lights give operators the ability to see oncoming obstacles, regardless of the weather. Safeguarding your people in the most extreme conditions is a PRINOTH priority.

**PRINOTH SAFETY
MEANS PEACE OF
MIND**

PrinOTH



**HIGH LEVEL
PERFORMANCE
IS WHAT PRINOTH
DOES BEST**

Prinoth



GET THE JOB DONE »

PRINOTH's vehicles are made like no other and the Trooper's combination of strength, agility and versatility will exceed your expectations at every turn. Powered by an EPA Euromot-compliant Caterpillar turbo diesel engine with 142 horsepower (106 Kw) and 556 N·m of torque (410 lb·ft), the Trooper packs a tight punch. Multiple track options and a footprint lighter than your own, only 48 g/cm² (0.68 psi), means you can take the Trooper over extreme terrain in any season.

Float over snow, stop and start on sand, crawl over rocks and climb mud-slicked hills, all with outstanding performance. Add a smart transmission that gives you torque when you need it and a top speed of 29 km/h (18 mph) when you want it, and you have got a vehicle that will take your crew almost anywhere – and quickly! In addition to transporting personnel, the Trooper's payload capability is also best-in-class. More than just muscle, the Trooper stays nimble; it

has a zero turn-radius – even when fully loaded. But what are performance and reliability without endurance? Extended fuel capacity allows you to lengthen routes and increase operational efficiencies. At PRINOTH, our only standard is to exceed yours.



ENJOY THE DRIVE »

The Trooper's innovative 5-person cab offers a full crew maximum comfort and the most advanced cab controls in the industry. The operator enjoys lumbar adjustable suspension seats and ergonomically designed controls so they can comfortably focus on the job and safely operate for longer shifts than in any other vehicle on the market. A microcontroller processes and transmits vehicle information to ensure you work at optimum efficiency with minimum downtime.

ERGONOMY AND TECHNOLOGY ARE YOUR KEYS »

The operator can monitor all vehicle parameters and outside temperature with a new easy-to-read color display. In addition to offering an outstanding driving system that provides greater reliability, better maneuverability and enhanced safety, the Trooper is in it for the long haul – whatever that may bring. The cab is packed with intuitively placed storage compartments, a powerful climate system for heating and air conditioning, front and rear wipers and heated exterior mirrors. PRINOTH knows the job will be tough. The ride should not be.



CAB COMFORT FOR
THE LONG HAUL



Prinoth





SERVICE AND PARTS



THE PERFECT TOOL »

PRINOTH vehicles are equipped with the highest quality PRINOTH-guaranteed OEM parts. This ensures the vehicle's long-term performance and reliability. PRINOTH vehicles retain their value and provide you with lower maintenance costs, longer vehicle life and better vehicle resale value. For the same outstanding performance you choose when purchasing a PRINOTH vehicle, maintain it with certified OEM parts. Our components are made, tested

and proven specifically for your tracked vehicle.

- » Parts engineered to exact specifications
- » Consistent, quality materials
- » Superior, original finish
- » Stringently tested for durability and reliability

Our 24/7 worldwide network is ready to serve your parts and service needs no matter where in the world your work takes you. Quality parts and quality service, where and when you need them.



DIMENSIONS

Overall length (basic vehicle)	4,064 mm (160 in.)
Overall width	
- with 900 mm track	2,565 mm (101 in.)
- with 1,100 mm track	2,997 mm (118 in.)
Overall height	2,845 mm (112 in.)
Ground clearance	381 mm (15 in.)
Shipping weight (including 900 mm light tracks)	3,479 kg (7,670 lb)

PERFORMANCE

Payload	1,360 kg (3,000 lb)
Maximum gross vehicle weight	5,670 kg (12,500 lb)
Maximum speed	29 km/h (18 mph)
Inside turning radius	0 m (0 in.)
Ground pressure at 150 mm penetration	
- 900 mm track	59 g/cm ² (0.83 psi)
- 1,100 mm track	48 g/cm ² (0.68 psi)

Maximum gradeability

Uphill/downhill	100%
Sidehill	75%

ENGINE

Make	Caterpillar
Model	C4.4 acert
Type	Turbo diesel, electronic fuel system
Number of cylinders	4
Displacement	4.4 l (269 in ³)
Horsepower @ 2,200 rpm	106 kW (142 hp)
Torque @ 1,400 rpm	556 N·m (410 lb·ft)
Fuel tank capacity	231 l (61 US gal)

TRANSMISSION

Hydrostatic pumps	Sauer Danfoss
Hydrostatic motors	Sauer Danfoss
Planetary gearboxes	Fairfield

Subject to modifications in the course of technological advancement.

TECHNICAL DATA

Piotech

CONTROLS

Type	Microcontroller with color display
Inputs	Steering wheel, progressive forward, neutral, reverse lever and speed pedal
Outputs	Independent control of each track
Other features	Anti-stall, fault code diagnostic and auto-calibration

ELECTRICAL SYSTEM

Voltage	12 V
Alternator capacity	120 A
Battery capacity	1 x 900 CCA

UNDERCARRIAGE

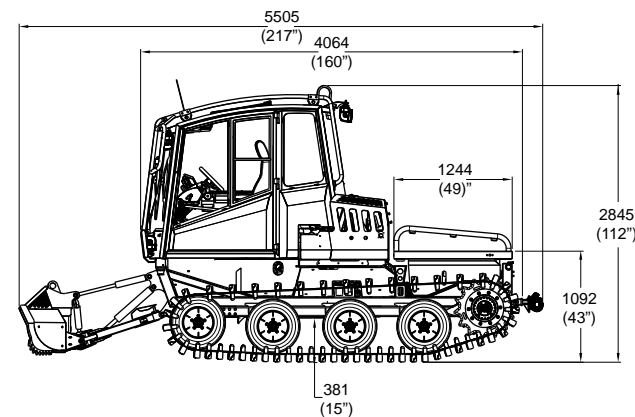
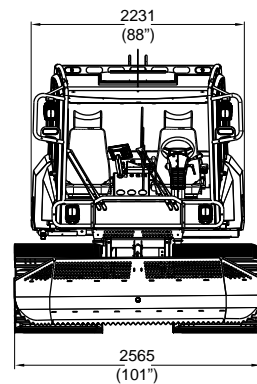
Suspension type	Independent – long travel with rubber dampening
Wheel quantity	8
Wheel type	Solid rubber (pneumatic optional)
Wheel size	145 mm x 569 mm (5.7 in. x 22.4 in.)

Tracks

Steel type	Semi-closed profile steel cross links. Available in 900 mm (35.5 in.) & 1,100 mm (43.5 in.) width
Rubber type	Aluminum cross links covered with rubber. Available in 780 mm (31 in.)

CAB

2 + 3 person cab
ROPS ISO 3471
Electric over hydraulic power tilt cab
3-point safety belts (4)
2-point safety belts (1)
Adjustable front seats
Controls for heater and defroster
Coat hangers
Gear storage nets
Fire extinguisher
Front wiper including low, high and intermittent speed
Front windshield washer
Rear wiper including low and intermittent speed
2 foldable sun visors
2 heated exterior mirrors
Interior mirror
Dome lamp



Grab handles
2 xenon headlights
Headlight protector
1 xenon backup light
Sunroof with pop-out latch
Sliding windows on both doors
Storage compartments
Backup alarm
Electric horn
Anti-vandalism kit
Two 12 V power outlets
Radio (AM/FM, CD) with speakers
Tubular-type front brushguard
Beacon light
Lockable doors

STANDARD EQUIPMENT

Lockable fuel cap
Belly pans
Pressurized hydrostatic oil tank with heater
Rear pintle hook
4 D-rings for transportation
Satellite boosting lugs
Parts, service & operator's manuals
Parking brake with automatic application upon door opening
Non-icing radiator protector

OPTIONAL EQUIPMENT

8-way blade 2,600 mm (102 in.) or 2,900 mm (114 in.) wide
Complete hydraulic system
Rear platform
Rear cover
Operator and front passenger suspension seats
Reversible radiator fan
Heavy duty windshield brushguard and headlight protector
Air conditioning system
Additional battery
6,800 kg (15,000 lb) capacity electric winch (front or rear)
42 ice spike set for steel tracks
2 additional xenon front lights

