

Menzi Muck A20

Menzi Muck A40



menzi
muck

The Mini Allterrain Excavator Menzi Muck A20 with 2000 kg.

Engine

Kubota Diesel engine
3-cylinder, water cooled
Displacement 1123 ccm
Output max. 24 PS (17.6 kW)
governed to 21 PS (15.8 kW) @ 2400 rpm

Hydraulic system

3-circuit-system
Total capacity 48 l/min.
Auxiliary hydraulic connection
Working pressure 180 bar

Swing

Hydro engine with planetary gear
Multi-disc brake with brake pressure valve
Slewing speed 9 rpm

Electrical equipment

12 volts
Alternator 1.0 kW
Battery 60 Ah

Measurements and dimensions

Weight	2'000 kg
Excavation height	3'900 mm
Excavation depth	2'600 mm
Discharge height	2'900 mm
Jib Range	4'600 mm
Transport width	960 mm
Transport height	2'500 mm
Dipper length	500 mm
Smallest swivelling radius	1'750 mm

Traction

Hydrostatic wheel hub drive
Speed up to 2.6 km/h
Multi-disc brake
Mechanical uncoupling of traction

Forces

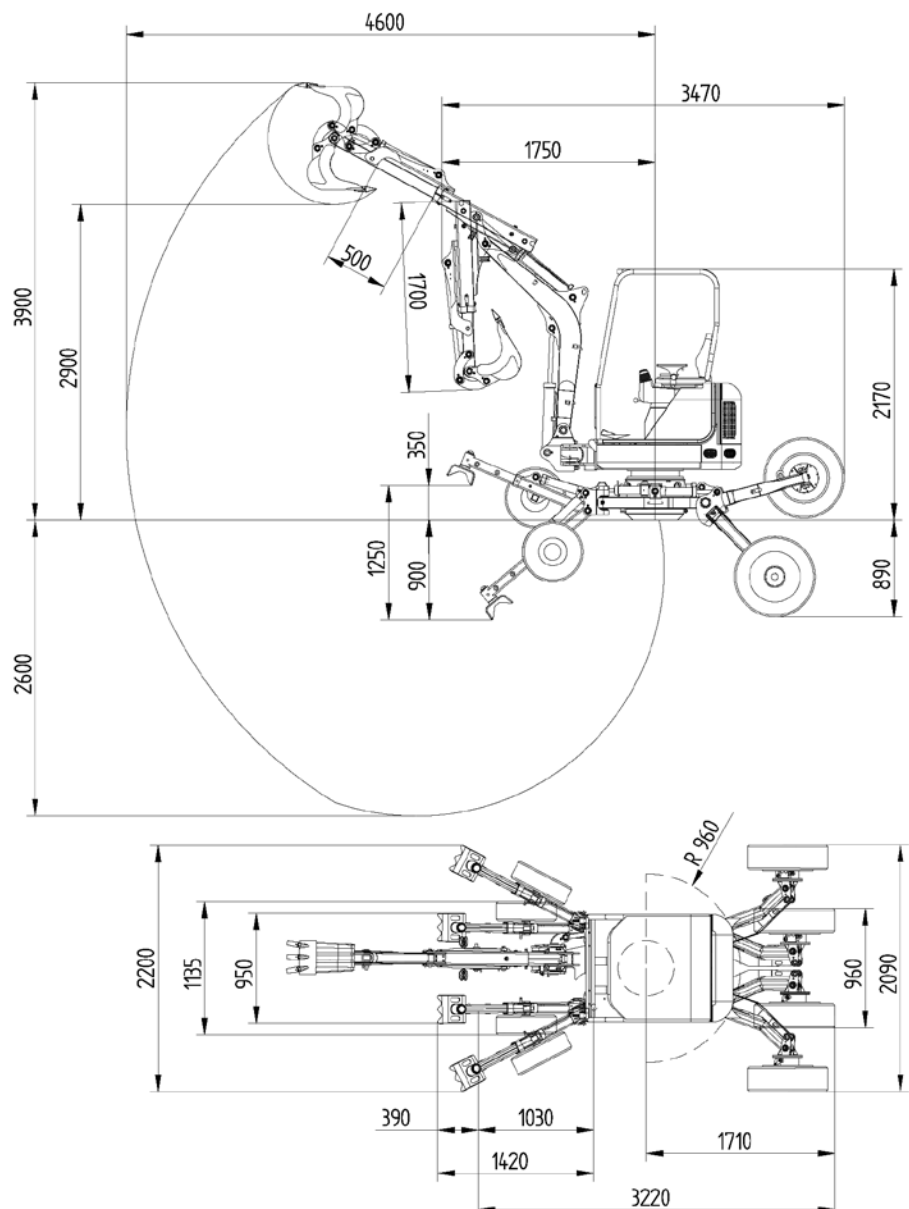
Ripping force 18.kN
Breakout force 11 kN

Standard equipment

Protective roof ROPS-tested
Armrests with control lever
Euro-Control
Hydr. telescope dipper 500 mm
Mec. telescope feet (3 positions)
Working headlights
Hydraulic chassis control cpl.
Swivelable arm

Options

Cab with heating
Customer paint colour



The Mini Allterrain Excavator Menzi Muck A40 with 4500 kg.

Engine

Turbo-Diesel engine Kubota V2607
4-cylindre, water cooled
Displacement 2615 ccm
max. output 67 PS (49 kW)

Hydraulic system

1 Regulated power axial piston pump 90 l / min.
1 gear pump 43 l/min.
Capacity 140 l/min.
Working pressure 220 bar
1 auxiliary hydr. connection on the boom 65 l/min.
2. auxiliary hydr. connection
3. hydr. circuit (hydr. quick changer)

Swing

Hydro engine with planetary gear
Multi-disc brake with brake pressure valve
Slewing speed 10 min⁻¹
Slewing force 12 kN

Elektrical system

12 volts
Alternator 1.0 kW
Battery 60 Ah

Measurements and dimensions

Weight	4'500 kg
Excavation height	5'850 mm
Excavation depth	3'370 mm
Jib Range	6'023 mm
Transport width	1'400 mm
Transport height	2'550 mm
Dipper length	900 mm
Smallest swivelling radius	2'160 mm

Traction

Hydrostatic 2-stage wheel hub drive
1. stage up to 2.3 km/h
2. stage up to 4.6 km/h
Multi-disc brake
Mechanical uncoupling of traction

Forces

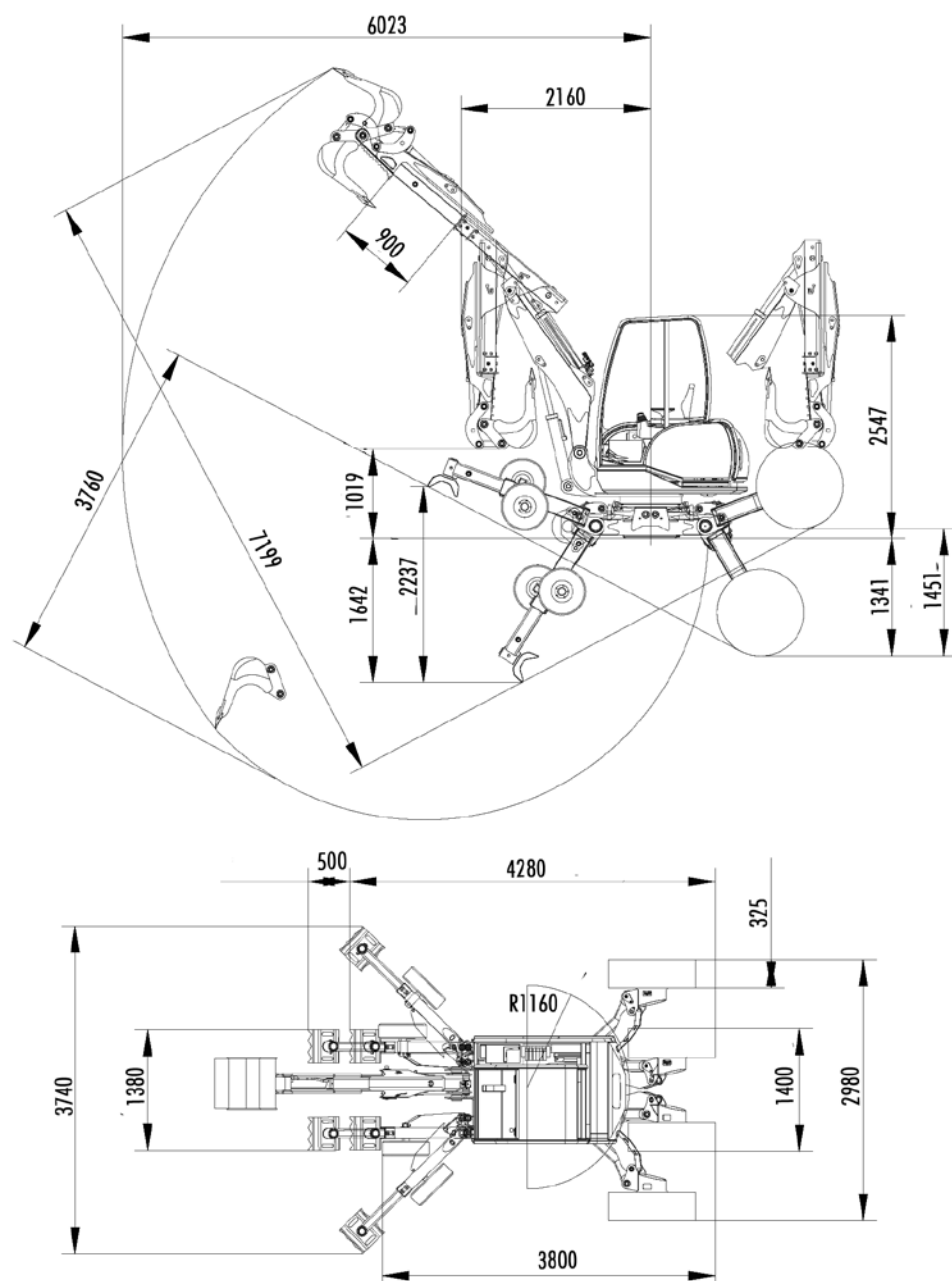
Ripping force 31 kN
Breakout force 23 kN

Standard equipment

Cab with heating
Protective roof ROPS-tested
Armrests with control lever
Euro-Control
Mec. telescope feet (3 positions)
Working headlights
Hydraulic chassis control cpl.

Options

Costumer paint colour



Accessories

Menzi Muck AG is convinced that the quality of the accessories is also important. All buckets, quick changers and universal grabs are of our own design and manufacture.

The following accessories are available for the mini-allterrain mobile excavators Menzi Muck A20 and A40:

- Standard Bucket 300 mm
- Standard Bucket 400 mm
- Standard Bucket 500 mm
- Standard Bucket 600 mm
- Hydraulic Grading Bucket
- Rigid Grading Bucket
- Powertilt Swivel Head (BG 06)
- Mecanical Quick Changer SWM-010
- Hydraulic Hammer
- Universal Grab UG-04

