

Menzi Master **M510**
Menzi Master **M515**

Menzi Master



**The new tracked excavators
Menzi Master M510 & M515 with up to
70% performance increase in the 14-ton class.**

**menzi
muck**

The Menzi Master M510 and M515.

Performance

The powerful 4-cylinder Deutz turbo-diesel engine (115 kW / 157 HP) allows the Master to supply up to 70% increase in performance compared to standard tracked excavators in the same weight class. The optional Powerline covers the oil requirements of even the most demanding accessories.

Stability

The long, rugged track chassis guarantees excellent stability. In addition, the chassis of the M515 can be adjusted width-wise.

Excellent on slopes

Owing to its low center of gravity, the machine is particularly good for working on steep slopes. The sophisticated blade kinematics guarantees a large grading angle and safe stability on steep terrain.

Highly versatile

The various additional hydraulic circuits at the boom and chassis mean that the machine is extremely versatile.

Optional

Different track widths and variants in addition to the shield extension increase the flexibility of the Master. For additional safety on the terrain it is possible to attach a cable winch at the chassis.

Worldwide new

A tracked excavator that is only available from Menzi Muck: a 14-ton excavator with track chassis and 157 HP that eclipses all existing machines!

A world first made by Menzi: the Master works with a telescopic arm and special wide-angle kinematics – a combination that finally makes the impossible possible!

The power unit is ideal as an equipment-carrier of particularly power-hungry attachments and also for the operator, who up to now had to make do with less!

This excavator with zero tail is qualified for applications where low ground pressure is provided and narrow spaces require a market-leading concept.

M510

- Track chassis with fix track gauge of 1990 mm
- Weight without accessories: 13800 kg



M515

- Track chassis with adjustable track gauge, from 1900 to 2900 mm
- Weight without accessories: 14500 kg



Economical. Powerful. Efficient. Engine, hydraulic, electric and cooling system.

APM - up to 30% fuel savings

The APM controller (Anticipating Power Management) creates a new, fast and harmonic interplay between the motor and the hydraulics. Overloading is thereby reduced to an absolute minimum. Power, Eco and Fine mode provide extra help in efficient operation of the machines. Power-lift function for maximum forces.

Deutz-Power: exhaust Tier IV

The retrofitting of a particulate filter is no longer a topic. The powerful 4-cylinder Turbo-Diesel engine of Deutz (115 KW / 157 HP) meets the exhaust Tier IV.

Cooling system

Generously dimensioned cooling system (pull), three separate coordinated cooler elements for hydraulic oil/ charge air/ water, maximum cooling capacity through side-by-side arrangement of the cooling elements, variable fan engine, option: swing condenser-element for air-conditioning, reversible fan (reverse ventilation).

Swiveling with big slewing ring

An axial piston motor with automatic multi-disc stop brake acts via a planetary gear on the internal gearing of the large-dimensioned, double-row slewing ring

(Ø 1200 mm, hardened tooth flank). The large volume swing motor operates extremely quietly and is completely maintenance free. The maximum slewing force is available over the entire speed range.

Tank contents

Operating tank: 205 liters / 54.2 US-gall.
Content of hydraulic system:
220 liters / 58.1 US-gall.

Hydraulic system

Sensitive Load Sensing hydraulic system by Bosch-Rexroth. The harmonious operating cycle is geared towards smooth and optimised performance.

Capacity controlled swash plate axial piston pump P2 for working operations, a gear pump P1 for fan drive. Optional: a third controlled swash plate axial piston pump (P3 Powerline)

Hydraulic cylinders

All cylinders on the boom are equipped with cushioning.

Hydraulic circuits

The required liter /gallons quantities of the hydraulic auxiliary circuits can be selected on the color display.

Circuit 1 (on the boom)

up to 200 l/min. - 52.8 US-gall./min. through proportional foot pedal - double acting

Circuit 2 (on the boom)

up to 100 l/min. - 26.4 US-gall./min. through proportional-rocker switch on the right joystick - double acting

Circuit 3 (on the boom)

up to 50 l/min. - 13.2 US-gall./min. over s/w-circuit on the left joystick - double acting option)

Circuit 4 (on the boom)

for hydraulic quick changer from pilot pressure - double acting (option)

Hydraulic winch preparation (chassis)

up to 80 l/min. / 21.1 US-gall./min.

Circuit 5 and 6 (chassis)

up to 40 l/min. / 10.5 US-gall./min. each

Return line (on the boom)

for hydraulic hammer

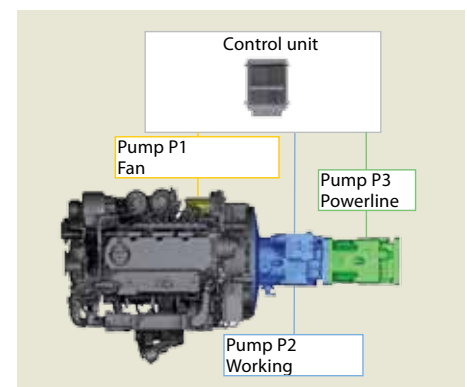
Powerline (view options)

Simple or double acting auxiliary circuit up to 190 l/min - 50.2 US.gall./min.; with priority supply by a separate pump

Leakage line (option)

Available options

- automatic central lubrication system
- biologically degradable hydraulic oil
- hydraulic bypass filter
- lifting gear attachments
- blade extension
- provision for cable winch
- additional LED headlight on the boom
- additional tool crate
- paint finish to specification
- oil leakage pipe and stroke limiter
- check valves with electrical operation
- hose-break safety device
- remote diagnostics
- immobilizer
- rubber pads
- various track versions
- etc.



Menzi Muck, the technology leader. Innovations that make us number one.

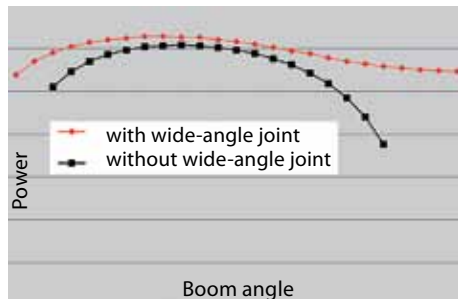
World innovation: Menzi powerboom

There is a lot of innovation in the proven and unique boom of the M-series. Unique to Menzi Muck, the boom cylinder is mounted horizontally in the center part. Collisions at the boom cylinder are therefore impossible.

Wide-angle kinematics with power booster

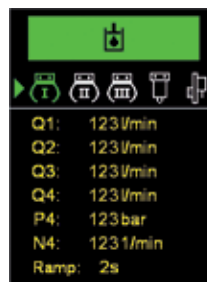
The kinematics of Menzi Muck opens new dimensions: optimum work in the close-up range at the minimum possible swivel radius is contrasted with maximum stretching of the boom. The Menzi power booster thereby supplies the highest possible forces over the whole working range.

Kinematics comparison at the dipper



Maximum forces

Lifting capacity @ 3.0 m	9200 kg / 20283 lb
Lifting capacity @ 4.5 m	6000 kg / 13228 lb
Lifting capacity @ 6.0 m	4100 kg / 9039 lb
Breakout force	102000 N / 10401 kp
Ripping force	69000 N / 7036 kp
Thrust force telescope	191 kN
Swing torque	52 kNm



Powerline - when power is the key

A separate pump supplies the additional connection of up to 190 l / 50 US.-gall. per minute. A consistently high oil supply increases therefore the efficiency of the accessories significantly. Volumes and pressures can be programmed individually.

Tool management

The required litre/US-gall. volumes can be stored at the display for up to 15 accessories. Simply select the corresponding preprogramming to change the tool.

Working area of the Menzi Master

Track gauge

The M515 comes with adjustment of the track chassis in width. In addition, various accessories such as cable winches can be fitted to the Menzi Master.



The panorama cockpit. The operator is most important.

Panorama cockpit

A free view of the entire working environment, the support and the wheels, provide the operator with safety and complete control in all situations. The spacious cab provides a perfect sense of space and many practical details for relaxed working.

Comfort and safety

From the ergonomic joystick with proportional rocker and hand support to the air-suspended operator's seat right up to adjustable armrests and foot pedals, no stone has been left unturned to provide the operator with a maximum of comfort.

Dashboard with LCD-Display

Clear and ergonomic arranged instrument panel. Analog controls with a integrated color display to show the most important indicators.



Numerous cab options

- air-conditioning, carbon filter
- heater with time clock
- turning light and lighting system on the roof with up to 10 LED- or Xenon-spotlights
- four point safety belt (suspenders)
- rearview camera
- FOPS-roof
- protective grid on the windshield
- security glazing (polycarbonate / lexan)
- etc.

Extensive standard equipment

„Roll-Over-Protection-System“ – ROPS according to DIN ISO 3471, cast parts at the upper structure used as fenders, side and rear covers are opened supported by gas-pressure springs, diesel fuel pump with

auto stop, cyclone air filter, integrated tool box, radio with CD/MP3-player, powerful heating with seven individual adjustable air vents, pollen and recirculated air filter, 8 spotlights (4 in the front, 4 in the rear), etc.



The Menzi Master M510 & M515. Unmatched versatility.



- Climbing ability
- Ground pressure with 500 mm tracks
- Ground pressure with 600 mm tracks
- Weight without accessories
- Speed 1st stage
- Speed 2nd stage

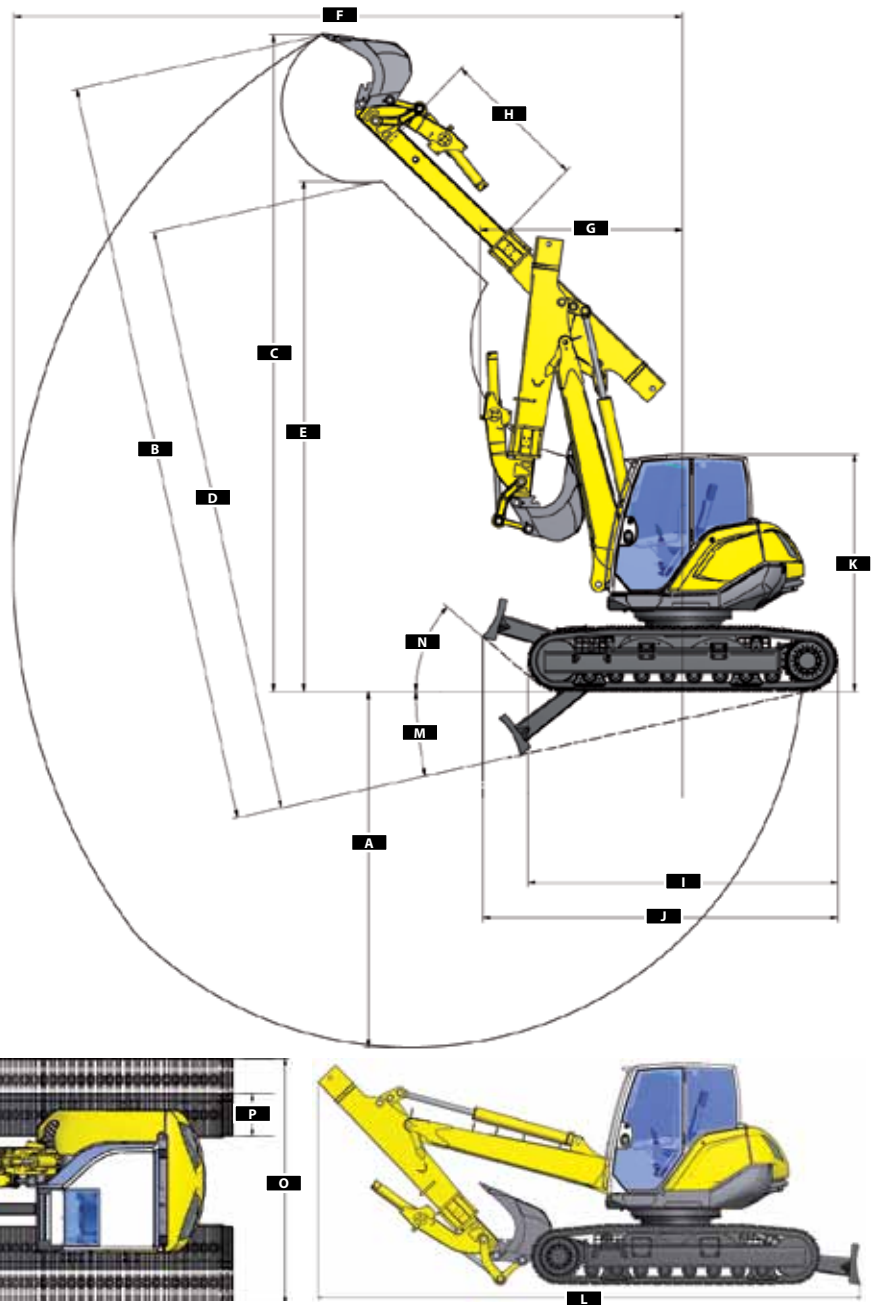
menzi
muck



M510		M515	
97 %		94 %	
0.41 kg/cm2		--	
--		0.35 kg/cm2	
13800 kg	30423 lb	14500 kg	31967 lb
2 km/h	1.25 mph	2 km/h	1.25 mph
6 km/h	3.73 mph	6 km/h	3.73 mph



Dimensions for standard configured machines.
Technical data subject to change / 0316



Dimensionen in mm		M510		M515	
A	Max. Excavation depth	4324	14'2"	4324	14'2"
B	Max. Excavation height (shield shifting)	9183	30'1"	9183	30'1"
C	Max. Excavation height	8082	26'6"	8082	26'6"
D	Max. Discharge height (shield shifting)	7274	23'10"	7274	23'10"
E	Max. Discharge height	6292	20'7"	6292	20'7"
F	Max. Jib Range	8211	26'11"	8211	26'11"
G	Min. Swivelling radius	2487	8'1"	2487	8'1"
H	Dipper length	1800	5'10"	1800	5'10"
I	Length under carriage	3800	12'5"	3800	12'5"
J	Total length	4367	14'3"	4367	14'3"
K	Transport height	2947	9'8"	2947	9'8"
L	Transport length	7177	23'6"	7177	23'6"
M	Leveling angle	13°		13°	
N	Side wall angle	40°		40°	
O	Width	2590	8'6"	2500 - 3500	8'2"-11'5"
P	Track width	500	1'7"	600	1'11"

More information.



www.menzimuck.com

- entire product range
- distributors, service network and event calendar
- company infos
- calendar of trade fairs and open doors
- fanshop
- multimedia (brochures, guides, photographs, videos, ...)
- multilingual
- and much more



facebook

www.facebook.com/menzimuck.com

- the history of the Menzi Muck
- product and company news
- discussions over the Menzi Muck
- events
- contributions from other Menzi Muck operators and fans



You Tube

www.youtube.com/menzimuck.com

- events and special reports
- TV-reports
- Menzi Muck working
- accessories in action